

FITTING INSTRUCTION

Clamp mark in acc. with		Cables joining
ISO	PN	
1	L	Left directional lights
2	+	Rear fog lights
3	31	Ground
4	R	Right directional lights
5	58R	Right side parking lights
6	54	Stoplights
7	58L	Left side parking lights

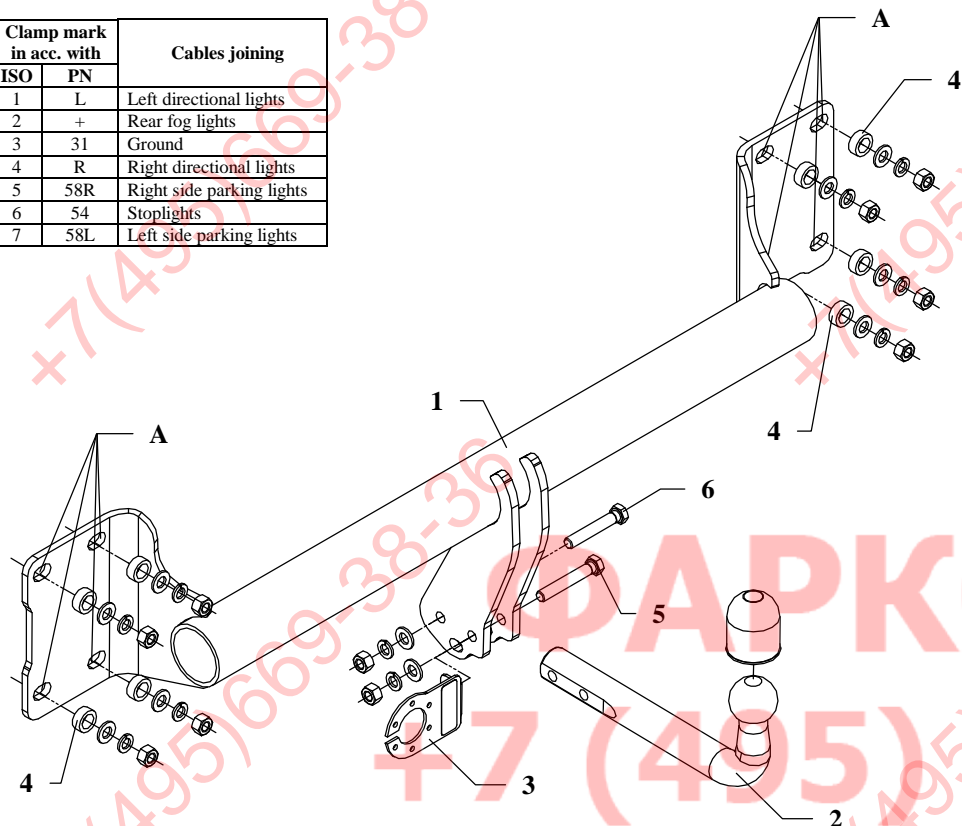


Fig. 1

This towing hitch is designed to assembly in following cars:
BMW X5, produced since 08.1992 till 2002, catalogue no. **B10** and is prepared to tow trailers max total weight **3500 kg** and max vertical mass **150 kg**.

From manufacturer

Thank you for buying our product. Their reliability has been confirmed in many tests. Reliability of towing hitch depends also on correct assembly and right operation. For this reasons we kindly ask to read carefully this instruction and apply to hints.

The towing hitch should be install in points described by a car producer.

The instruction of the assembly

1. For the purpose of the installings of the towing hitch one ought to disassemble the bumper with the metal fulfilment (metal fulfilment of the bumper will not be assembled again).
2. Apply the main bar of the towing hitch (pos. 1) on the rear panel of the vehicle (on protruding original bolts) and fix loosely through holes A. Use distance sleeves (pos. 4) from the towing hitch accessories (see fig. 1).
3. Fix tow ball (pos. 2) using bolt M12x75mm (pos. 5) and M12x70mm (pos. 6). With bolt M12x75mm fix also a socket plate (pos. 3). See fig. 1.
4. Install the bumper after cut out the fragment in its axis (width 55mm and depths 90mm). For the purpose of installings of the bumper use rivets (pos. 11) and washers (pos. 12) from the towing hitch accessories (see fig. 2).

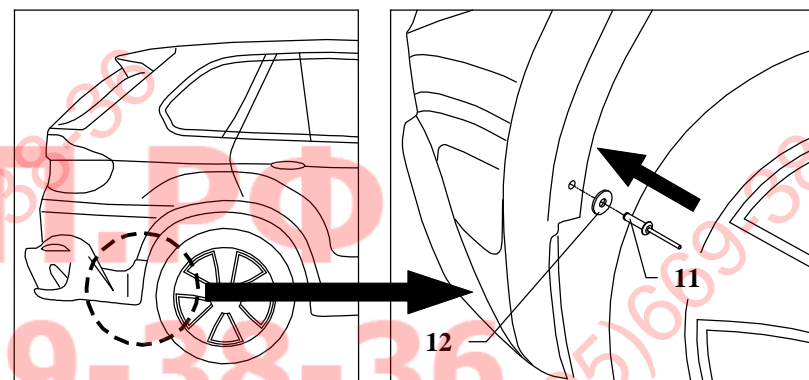


Fig. 2

5. Tighten all bolts according to the torque shown in the table.
6. Connect electric wires of 7-poles socket according to the instruction of the car. (Recommend to make at authorized service station).
7. Complete paint layer damaged during installation.

Torque settings for nuts and bolts (8,8):	
M 8 - 25 Nm	M 10 - 55 Nm
M 12 - 85 Nm	M 14 - 135 Nm

NOTE

After install the towing hitch you should get adequate note in registration book (at authorised service station). The car should be equipped with:

- Indicators
- Tow mirrors

After 1000km check all bolts and nuts. The ball of towing hitch must be always kept clear and conserve with a grease.

Towing hitch accessories:

Pos. 1 Main bar PCS.: 1	Pos. 5 Bolt 8,8 B M12x75mm PCS.: 1	Pos. 10 Ball cover PCS.: 1
Pos. 2 Tow ball pcs.: 1	Pos. 6 Bolt 8,8 B M12x70mm PCS.: 1	Pos. 11 Rivet ø5x20mm PCS.: 2
Pos. 3 Socket plate pcs.: 1	Pos. 7 Nut 8 B M12 PCS.: 10	Pos. 12 Washer ø22xø7x2mm PCS.: 2
Pos. 4 Distance sleeve ø25x4mm L=10mm PCS.: 8	Pos. 8 Plain washer ø12mm PCS.: 10	Pos. 9 Spring washer ø12mm PCS.: 10



PPUH AUTO-HAK S.J.

Produkcja Zaczepów Kulowych
Henryk & Zbigniew Nejman
76-200 SŁUPSK ul. Stoneczna 16K
tel/fax (059) 8-414-414; 8-414-413
E-mail: office@autohak.com.pl
www.autohak.com.pl

Towing hitch (without electrical set)

Class: **A50-X** Cat. no. **B10**

Designed for:

Manufacturer: **BMW**

Model: **X5**

produced since 2007

Technical data:

D-value: 16,0 kN

maximum trailer weight: **3500 kg**

maximum vertical cup mass: **150 kg**

Approval number according to Directive 94/20/EC: **e20*94/20*0448*00**

Foreword

This towing hitch is designed according to rules of safety traffic regulations. The towing hitch is a safety component and can be install only by qualified personnel. Any alteration or conversion of the towing hitch is prohibited and would lead to cancellation of design certification. Remove insulating compound and underseal from vehicle (if present) in the area of the matting surfaces of the towing hitch. The vehicle manufacturer's specifications regarding trailer mass and max. vertical cup mass are decisive for driving whereat values for the towing hitch cannot be exceeded.

D-value formula:

$$\frac{\text{Max trailer weight [kg]} \times \text{Max vehicle weight [kg]}}{\text{Max trailer weight [kg]} + \text{Max vehicle weight [kg]}} \times \frac{9,81}{1000} = D \text{ [kN]}$$